



megaSun[®]
by KBL



megaSun space 2000

Operating Instructions

Copyright and Trademark

© Copyright 2006 KBL-Solarien AG

This documentation only covers products manufactured by KBL-Solarien AG. It must not be duplicated, photocopied, translated or stored without prior special consent by KBL-Solarien AG. Duplication on electronic media or in a machine-readable form, either in whole or in part, is also prohibited.

For instruction updates, please refer to <http://www.kbl-support.de>



is a registered trademark of KBL-Solarien AG.



KBL-Solarien AG ·
Ringstraße 24-26 · 56307 Dernbach · Germany
fon +49(0)2689.9426-0 · Fax +49(0)2689.9426-66
eMail megaSun@kbl.de · Internet: www.megaSun.de

Certified according to ISO 14001 : 2004

Content

Importance of these instructions	4
Safety advice	5
Intended use.....	5
Duties of the operator.....	5
Timer-controlled operation.....	5
General safety advice.....	5
Transport	6
Transport by fork-lift truck.....	6
Other modes of transport.....	6
Unit description	7
Views.....	7
Operation using different audio sources.....	10
Connecting the tower	11
Connecting the mains voltage.....	11
Connecting an external audio source.....	12
Connecting an external timer.....	13
Connections to supply the tower.....	14
AquaCool-box connections.....	15
Connections aquaCool box/tower.....	15
Start-up	16
Operating modes.....	16
Tanning instructions	17
Instructions for the user.....	17
Tanning times.....	18
Operation in tanning mode	19
Displays in tanning mode.....	19
Starting and stopping a tanning session.....	20
Adjusting the body fan.....	20
Setting the volume (optional feature).....	21
Selecting audio source and title (optional feature).....	21
megaVoice on/off (optional feature).....	22
Enable/disable aquaCool and aroma (optional feature).....	22
Fragrance diffusion in the tanning booth.....	22
Operation in standby/service mode	23
Turning the decorative lighting on and off.....	23
Displays in service mode.....	23
Loading the factory settings.....	27
Changing the language and country settings.....	27
Adjusting the contrast of the display.....	28
Reading out the operating hours of the tower unit.....	28
Resetting the operating hours of the tubes.....	28
Number of tanning sessions.....	28
Availability of an MP3 player.....	28
Availability of Wellness/Pop tracks.....	29
Availability of studio music.....	29
Playing music all the time or only during tanning.....	29
Default setting of audio source.....	30
Default setting of volume.....	30
Availability of megaVoice.....	30
Presetting of megaVoice volume.....	31
Adjusting the volume.....	31
Setting of treble and bass for studio music.....	31
Setting of treble and bass for MP3 player.....	31
Presetting of aquaCool and aroma.....	32
Presetting of booth scenting.....	33
Testing aqua and aroma function.....	33
Initialising aquaCool.....	34
Depleting aquaCool.....	34
Displaying the event log.....	34
Displaying versions.....	34
Maintenance and cleaning	35
Instructions for cleaning and care.....	35
Maintenance intervals.....	36
Cleaning and replacing the acrylic panes.....	36
Cleaning and replacing the tubes.....	38
Replacing the tower lighting.....	40
Exchanging the SD card in the MP3 player.....	44
Writing to the SD card.....	45
Replacing the aquaCool canister and refilling aroma.....	45
Replacing the aquaCool nozzles.....	49
Fault messages	50
Service	51
Technical Data megaSun space 2000 (T3)	52

Importance of these instructions

This operating manual is intended for use by

- operational staff,
- users,
- service staff.

Any person dealing with this tanning unit must have read and understood these instructions.

Keep this manual ready to hand at any time.

Safety advice

This chapter provides a summary of general information regarding safety and proper handling of the tanning unit. More specific safety advice is provided in other chapters of the operating manual.

Intended use

The unit is intended to be used for the tanning of one single person at a time. This person must not fall in one of the categories mentioned below, otherwise using the tanning equipment is prohibited for him or her.

The following individuals must not use the tower:

- Persons under 18 years of age
- Persons wearing heart pacemakers
- Person prone to sunburn, without the desired tanning effects, when exposed to the sun (skin type I)
- Persons already suffering from sunburn
- Persons suffering, or having suffered, from skin cancer, or persons with a corresponding predisposition
- Persons taking medicines

Duties of the operator

KBL-Solarien cannot be held liable for any damage resulting from improper use of the equipment or non-observance of these operating instructions.

Only original spare parts – especially tubes and burners – have to be used, otherwise operating authorization and terms of guarantee will become invalid.


Timer-controlled operation

The tower has to be operated via an external timer. If the external timer fails, the tower is automatically switched off by an internal safety timer after 30 minutes.

General safety advice

- Follow all instructions given in this manual. In addition to that, observe all applicable statutory provisions and regulations, also those applicable in the country of operation.
- The appliance may only be installed and assembled by specifically trained staff.
- Arbitrary modifications or conversions of the equipment are non-permissible.
- Observe all danger signals and safety signs attached to the equipment.
- Safety signs must not be removed, and safety appliances must not be disabled.
- The unit may only be operated when in perfect working condition.
- Never operate the tower with the outer covering removed or with the acrylic panes removed.
- The tanning system has to be controlled via a timer that complies with the generally applicable standards.

Transport

	! WARNING
	Overturning load Danger of being crushed by heavy parts of the equipment. <ul style="list-style-type: none">• Wear safety boots.

Transport by fork-lift truck

The box with the tower components is mounted on a pallet.

- Insert the forks cautiously into the openings of the pallet.
- Lift the load by a few centimeters.
- Cart the load cautiously to the place of installation.

Other modes of transport

If a forklift truck cannot be used for transport, the box must be unpacked and the parts inside have to be transported individually to the place of installation, e. g. using a dolly. Depending on the weight of the parts, lifting them might require several people.

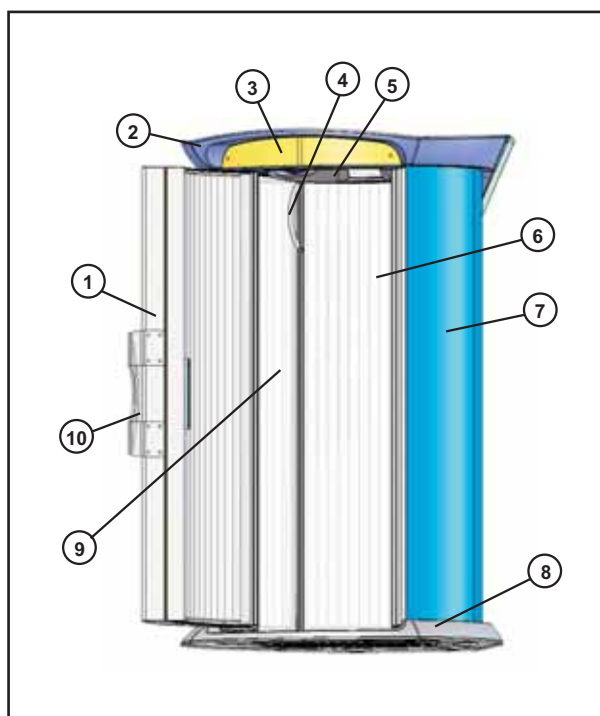
Unit description

The tanning system complies with the currently applicable versions of the following standards:

- EN 60335-2-27
- Low Voltage Directive 72/23/EEC
- EMC 89/336/EEC

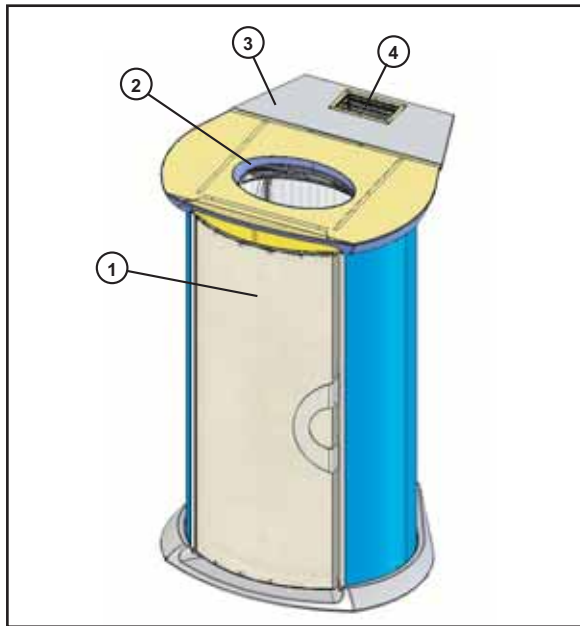
A CE declaration of conformity is made available from the manufacturer on request.

Views



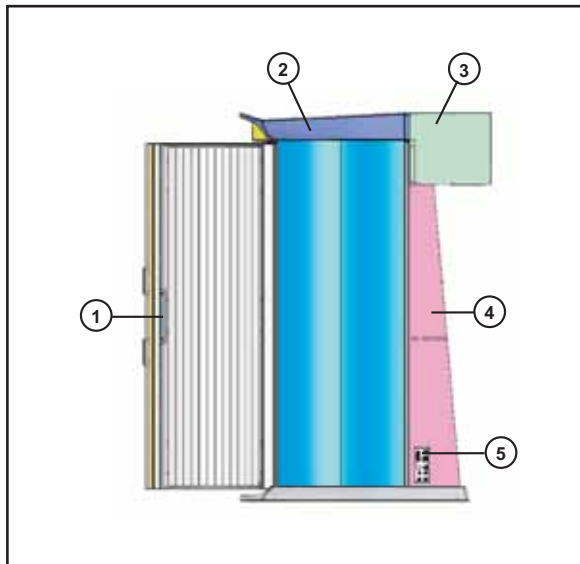
Front side of the tower, door opened

1	Door	6	Rear wall
2	Top crown	7	Lateral part, right-hand side
3	Facing of unit lighting at top crown	8	Floor plate
4	Grab handle, left-hand side	9	Lateral part, left-hand side
5	Display	10	Door handle, outside



Front and top part of the tower, door closed

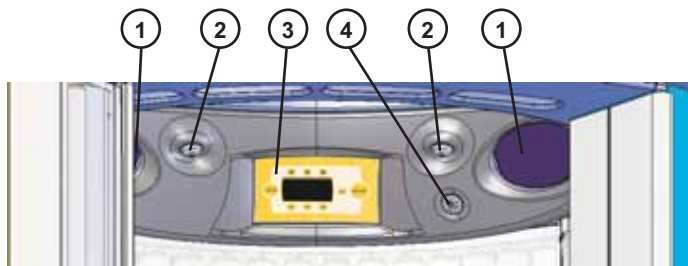
1	Decorative lighting of door (behind the panel)	3	Fan casing
2	Overhead ventilation opening	4	Exhaust opening



Side view, door opened

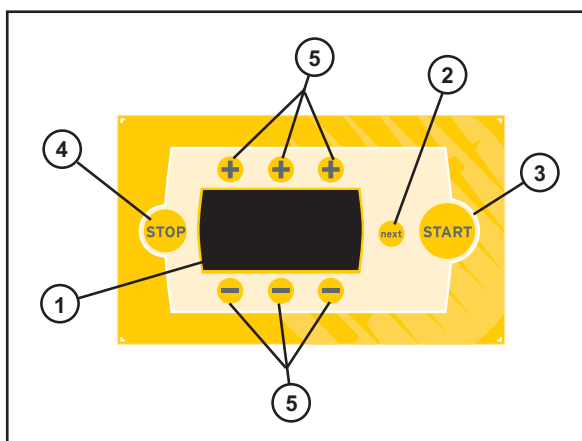
1	Door handle, inside	3	Fan casing
2	Top crown	4	Rear wall
5	Cover of supply connections		

Display frame



1	Loudspeaker	3	Control panel
2	aquaCool nozzles	4	aquaCool buttons

Control panel



1	Display	Offers various display options.
2	next	Switches between the available operating menus.
3	START button	Starts the tanning session: <ul style="list-style-type: none"> • During the warm-up time • After an interruption caused by pressing the STOP button, as long as the total tanning time booked has not elapsed yet.
4	STOP button	Stops the tanning session if pressed for at least two seconds.
5	Plus button	In tanning mode: Increases the value of the function displayed below the button. In service mode: Executes the function displayed below the button.
6	Minus button	In tanning mode: Decreases the value of the function displayed above the button. In service mode: Executes the function displayed above the button.

Operation using different audio sources

The option of using a music source is not included in the standard model of the tower.

The audio source can be provided by the internal MP3 player of the tower, an external audio source, or both. The control panel allows you to alternate between the internal and external audio sources.

Internal MP3 player If you use the internal MP3 player, you can play the music that is supplied on the SD card, or you can store your own tracks on it.

Externe Musikquelle Als externe Musikquelle kann ein Gerät mit Standard-Line-Pegel bis niedriger Lautsprecherpegel angeschlossen werden. Die notwendige Pegelanpassung erfolgt über das Potentiometer auf der Audio-CPU (Audioswitch).

Weitere Informationen finden Sie im Kapitel „Anschlüsse“ und „Bedienung im Servicebetrieb“.

Connecting the tower

Connecting the mains voltage

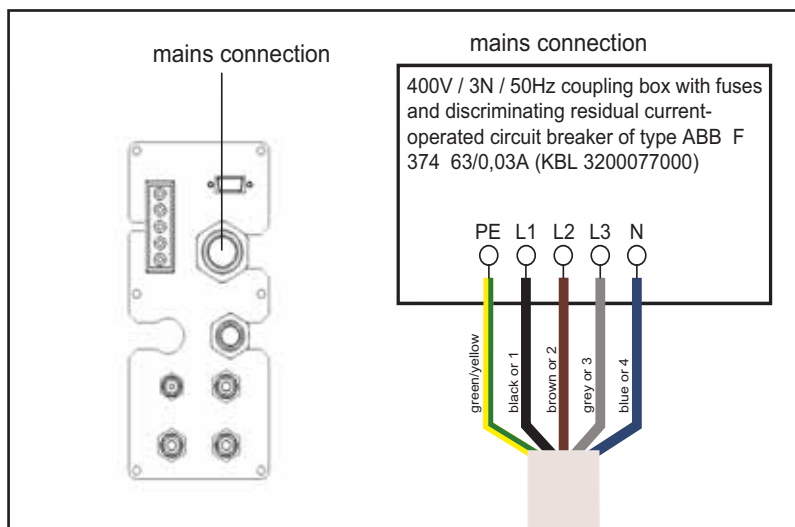
Both the power supply and the related connection works must comply with national standards (e.g. VDE in Germany). The connection may only be carried out by qualified expert staff.

	DANGER
	<p>Live components</p> <p>Danger to life due to electric shock when touching live parts.</p> <ul style="list-style-type: none"> Switch off mains voltage. Protect against re-connection.

The connection to the 400 V mains has to be protected by fuses. Their specifications can be found under “Technical Data”.

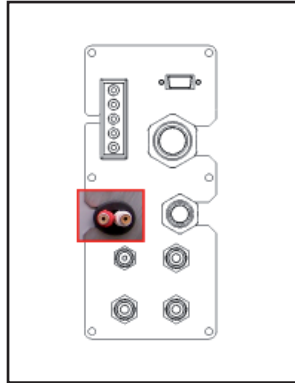
A discriminating residual current-operated circuit breaker has to be used in any circumstance. KBL-Solarien AG recommends: KBL 3200 0770 00 (type ABB F 374 63/0,03A)

Should any interference occur due to the operation of your tanning unit with the mains, e.g. ripple-control systems (TRA), consult your power-supply company regarding the installation of corresponding blocking elements (audio frequency suppressor).

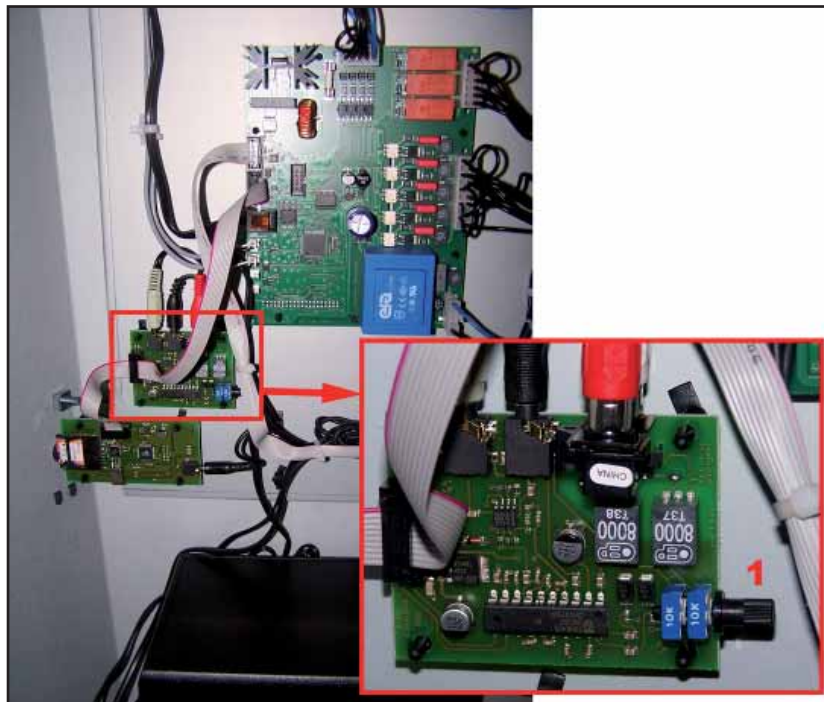


Connecting an external audio source

The cinch marked in the illustration is connected to the external audio source where the line-out of the sound player or the headphone/loudspeaker jack are available for connection.

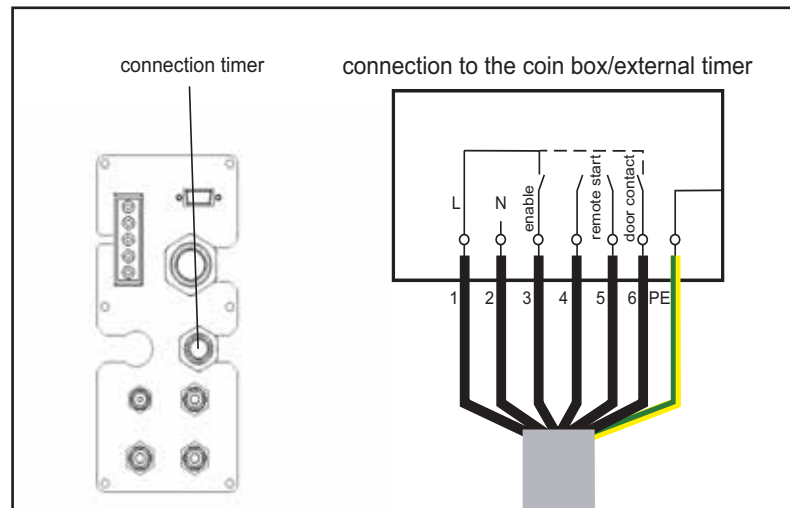


The Potentiometer (1) for level adjustment is located on the audio board (audioswitch) in the back of the tower.

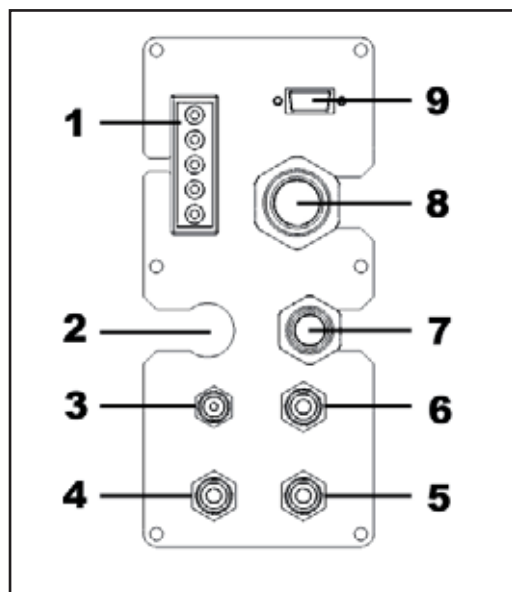


Connecting an external timer

Connect the external timer (e.g. coin box, studio control) according to the instructions supplied with the timer. The following diagram shows the wiring of the timer connection. A door contact is necessary for the option "cabin fragrance".

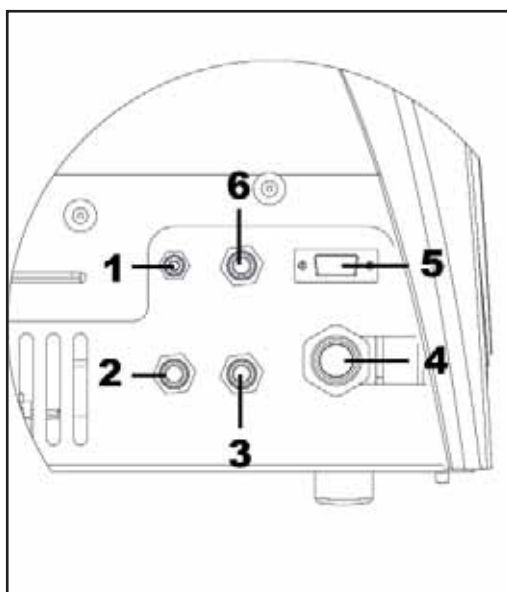


Connections to supply the tower



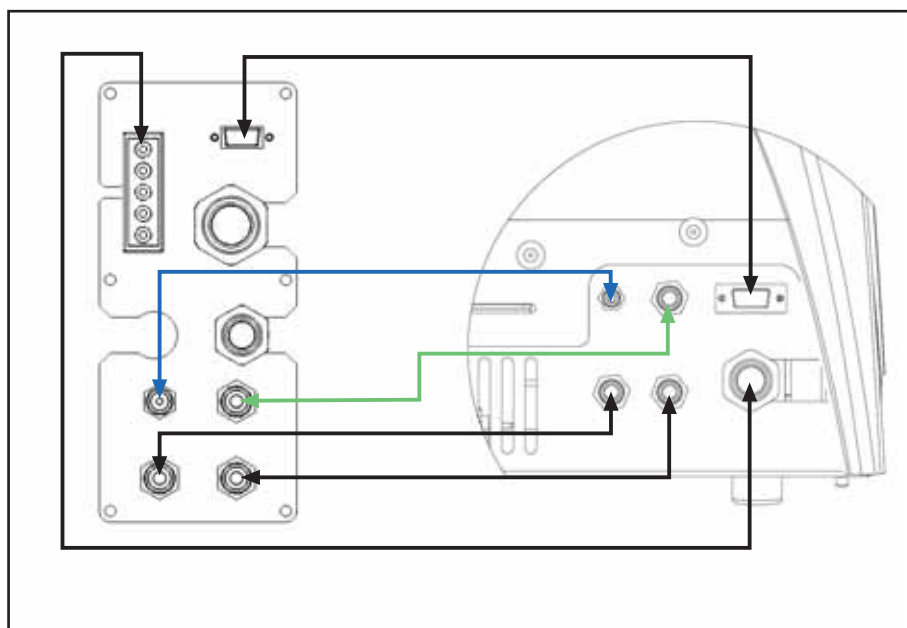
1. Mains voltage Aquabox
2. Audio connection
3. AquaCool liquid
4. Aroma
5. Aroma
6. Air for aquaCool
7. Connection of external timer (coin-box system)
8. Power supply
9. 9-pole data cable aquaCool box/tower (CAN-bus connection)

AquaCool-box connections



1. AquaCool liquid
2. Aroma
3. Aroma
4. Supply voltage aquaCool box
5. 9-pole data cable aquaCool box/tower (CAN-bus connection)
6. Air for aquaCool

Connections aquaCool box/tower



Start-up

- Fix the supplied sign or one with the following wording permanently to the wall close to the tanning unit:

Warning

- UV radiation can cause eye and skin injury. Please ask the studio staff for further information.
- Wear protective goggles.
- Certain medicines or cosmetics can increase the sensitivity of the skin to UV radiation.

- Determine the presettings for the tower in the service menu.
- Store these Operating Instructions in a place that allows for easy access.

Operating modes

The three different operating modes are explained below:

Standby mode

The unit is in an idle state, i.e. it is connected to the mains but is currently not used. The tubes and facial tanners are switched off. From the standby mode, you can change to the tanning mode or the service mode.

Tanning mode

The tubes and facial tanners are switched on and a tanning session proceeds. During the tanning mode, the settings for the ongoing tanning session can be changed via the control panel.

Fan run-on

After the tanning session, the fan continues operating for 3 minutes in order to cool down the tower. With the tubes cooling down, the fan speed is automatically reduced.

Service mode

In service mode, the tower is configured for tanning operation. There is the possibility of having various values indicated and of carrying out test functions.

Tanning instructions

- General** As a rule, an averagely tanning skin has achieved a uniform tan after three to five tanning sessions. These sessions should take place one after the other day. To preserve the suntan achieved, one or two further tanning sessions will normally do.
- No sunscreen with protection factor** Sunscreens with sun protection factors are unsuitable for use in a tanning studio. For tanning, the skin should have been thoroughly cleaned and dry. For optimum skin care, we particularly recommend using our AfterSun line of bodycare products after tanning.

Instructions for the user

Observe the following tanning instructions:

- General**
- Any person not listed in the chapter “Intended use” may use the tower.
 - The different skin types tolerate the sun and hence tanning times to a different degree. Please observe the specifications in the skin-type table (supplied with the unit) and the tanning times. After having reached the ultimate tan, further tanning can only be achieved by substantially exceeding the allowed tanning times. This has to be avoided in any case.
 - The UV radiation of the sun or UV appliances can cause damage to the skin or to the eyes. These biological effects depend on the type and amount of radiation as well as on the individual sensitivity of the skin.
 - After excessive radiation, the skin may exhibit sunburn. Excessively repeated exposure to UV radiation of sunlight or UV appliances can lead to premature ageing of the skin and to a higher risk of skin cancer.
 - The unprotected eye can suffer from surface inflammation and in certain cases, e.g. after a cataract operation, excessive radiation can damage the retina. After many repeated sessions, a cataract may form.
 - Exposure to UV radiation has to be avoided if medicine is taken that increases the sensitivity to ultraviolet radiation. If in doubt, seek medical advice.
 - It cannot generally be assumed that the use of a solarium reduces the risk of getting sunburn.
 - Seek medical advice if persistent swellings or skin sores develop or pigmented moles change in appearance.
 - Only use radiation appliances of UV type 4 after consulting a doctor.

For each tanning session

- Always use the supplied protective goggles.
- Remove cosmetics before the session and do not use any sunscreen.
- Allow for at least 48 hours to pass between sessions.
- After a tanning session, do not take another sunbath out of doors on the same day.

Tanning times

For the precise definition of the skin types, please refer to the supplied skin-type table.

If the tanning-session sequence is interrupted for 4 weeks or more, you will have to start with the first session again.

The times mentioned in the tanning schedules only apply on the condition that tubes and facial tanners are replaced according to the maintenance intervals stipulated in the section dealing with maintenance.

		Skin type		
		II	III	IV
megaSun space 2000	1. Session	3 minutes	3 minutes	3 minutes
	2. Session	3 minutes	3 minutes	4 minutes
	3. Session	4 minutes	4 minutes	4 minutes
	4. Session	4 minutes	5 minutes	5 minutes
	5. Session	4 minutes	5 minutes	6 minutes
	6. Session	5 minutes	6 minutes	7 minutes
	7. Session	5 minutes	7 minutes	8 minutes
	8. Session	5 minutes	7 minutes	9 minutes
	9. Session	6 minutes	8 minutes	10 minutes
	10. Session	6 minutes	9 minutes	11 minutes
	11. Session	7 minutes	9 minutes	12 minutes
	12. Session	7 minutes	10 minutes	13 minutes
	The interval between two tanning sessions must be at least 48 hours.			
Max. number of tanning sessions per year (=15 kJ/m ²)	60	43	33	

Operation in tanning mode

	DANGER
	<p>Excessive dose of UV radiation</p> <p>If the UV radiation of the facial tanner is not properly filtered, or if the tanning session is prolonged excessively, the skin and the eyes will be injured severely.</p> <ul style="list-style-type: none"> • Never operate the tower with a defective timer. • Observe the tanning times given in the tanning schedule.

The tanning mode starts automatically after the warm-up time specified in the timer has elapsed. During the warm-up time, the tanning session can be started manually by pressing the START button.

Displays in tanning mode

Tanning time



During the tanning session, the tanning time so far is displayed as *minutes : seconds*. If the display flashes, the session has been discontinued.

Display 1



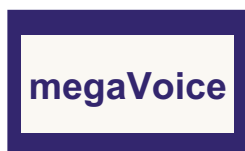
By pressing the next button or one of the plus or minus buttons during standby mode or during the tanning session, the available functions will become visible. The settings can only be changed during the tanning session. The megaSun display or the tanning time is displayed via the next button or automatically after approx. 10 seconds. If the MP3 player has been selected, the file name of the current track is displayed below the symbols. If the studio music has been selected, "Line In" is displayed.

Display 2




By pressing the next button in standby mode, display 2 is invoked. Display 2 shows the available audio sources and marks the one that has been selected. If the MP3 player has been selected, the current track is indicated below the symbols. If the studio music has been selected, "Line In" is displayed.

Display 3



If the next button is pressed three times, display 3 will appear, provided that megaVoice has been activated in the service menu.

Starting and stopping a tanning session

	 WARNING
	<p>UV radiation</p> <p>UV radiation may cause damage to eyes and skin.</p> <ul style="list-style-type: none"> • Observe the tanning instructions. • If in doubt, refrain from tanning

During the tanning session, the door must remain closed in order to ensure that the ventilation works properly.

Starting

1. Close the door and place yourself in the middle of the tower booth in such a way that the distance between your body and the surrounding lamps is about equal at any point.
2. Put on protective goggles.
3. To start the session during the warm-up time, press the START button. After the preset warm-up time has elapsed, the tanning session will start automatically.

Stopping

Keep the STOP button pressed for at least two seconds. You will hear an acknowledgement sound, and the tanning-time display starts flashing. The tanning session is stopped but the session time is still counted down. The tanning session can be continued by pressing the START button as long as the booked tanning time has not elapsed yet.

After the time set by the timer has elapsed, the tanning session is terminated automatically, and the fan will run on for another three minutes.

Adjusting the body fan

Symbols on display 1

	1-9 – Body fan on
---	-------------------

Setting the ventilation power

The force of the air stream can be adjusted continuously. After the tanning program has started, the system adjusts the ventilation power automatically until the studio guest changes the setting.

A minimum temperature is required for the cooling of the tubes. The fan power cannot be set to a value below this minimum temperature. If you try to do so, a cross will be displayed for a short time, and the set power level will remain unchanged.

- To **reduce** the fan power, press the minus button.
- To **raise** the fan power, press the plus button.
- To **switch the fan on** again, press the plus button.

Setting the volume (optional feature)

This section applies only to tanning units equipped with an audio system.

Symbol on display 1



0-9 – Volume control

Setting the volume

After the start of the tanning program, the volume is set to the value determined in the service menu. The volume can be adjusted continuously.

- To **decrease** the volume, press the minus button.
- To **increase** the volume, press the plus button.
- To **switch off** the music, use the minus button to set the value to 0.

Selecting audio source and title (optional feature)

This section applies only to tanning units equipped with an audio system. You can make your choice between the options *Wellness*, *Pop* and *Studio Music*, provided that an MP3 player and studio music are available and activated in the service menu.

After the start of the tanning program the audio source defined as standard source in the service menu is selected. If *Wellness* or *Pop* has been selected as the default audio source, one title is randomly chosen from the directory and played after the unit has been turned on. After that, the following tracks are played one after the other.

Symbols on display 2

W

Selects the tracks from the *Wellness* directory on the MP3 player (see also section "Writing to the SD card"). Is displayed only if activated in the service menu.

P

Selects the tracks from the *Pop* directory on the MP3 player (see also section "Writing to the SD card"). Is displayed only if activated in the service menu.

S
S
T
U
D
I
O

Selects studio music. Is displayed only if activated in the service menu.

Selecting an audio source

Proceed as follows in order to select an audio source:

- Press the next button to invoke display 2.
- Press the plus or minus button at the desired audio source.

When you switch over from *Wellness* or *Pop* to *Studio Music*, the player remembers the title being played at that time and re-starts playing it after switching back.

Symbols on display 1



Indicates that *Wellness* or *Pop* has been selected. The current track is displayed below the symbols.



Indicates that studio music has been selected and channel selection is possible. If only one studio channel is offered, no arrow appears in display 1 after selecting "Studio". "Line In" is displayed below the symbols.

**Selecting title/
channel**

To select a title or channel, proceed as follows:

- Press the plus button over the arrow to jump to the following title/channel.
- Press the minus button under the arrow to jump to the preceding title/channel.

megaVoice on/off (optional feature)

MegaVoice can be turned on and off in tanning mode if it has been activated in the service menu.

1. Press the next button three times to invoke display 3.
2. Use one of the plus buttons to switch the function on and one of the minus buttons to switch it off.

Enable/disable aquaCool and aroma (optional feature)

This section applies only to tanning units equipped with aquaCool. During the spraying process, “aquaCool“, or “aroma“ resp., will be displayed flashing.

Depending on the presettings made in the service menu, aquaCool is started manually or automatically - in combination with the aroma function or without it. The factory setting is to start the aquaCool cycle manually. You can't stop a running diffusion process.

- **Manual start:** One aquaCool cycle is started manually by pressing the aquaCool push button located on the upper right-hand side next to the display.
- **AquaCool automatic control:** After actuating the aquaCool button, the function runs according to a preset time cycle. You can disable aquaCool by pressing the button while aquaCool is not spraying. For further information, see section “Operation in standby/service mode, aquaCool and aroma presettings”.

If the system is running short of aquaCool liquid, a corresponding message is displayed. After the first message, there is sufficient aquaCool left for approx. 2.5 operating hours.

If the system has run out of aquaCool liquid, aquaCool is automatically deactivated. As soon as a full canister has been connected, aquaCool will be activated automatically.

Fragrance diffusion in the tanning booth

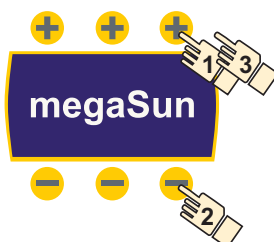
The studio guest cannot influence the scenting within the booth. It is the studio operator who defines the aroma function in the service menu. For further information on the settings, have a look at the section “Operation in standby/service mode”.

Operation in standby/service mode

In standby mode, you can turn the decorative lighting of the tanning tower on and off. In service mode, the presettings for the tanning mode are made, and you are prompted for values regarding the operation of the tanning unit.

Turning the decorative lighting on and off

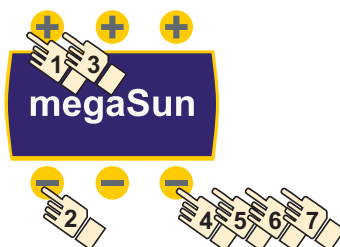
1. Press the plus or minus buttons in the indicated order to turn the decorative lighting on or off.



Displays in service mode

The service menu can only be invoked from the standby mode.

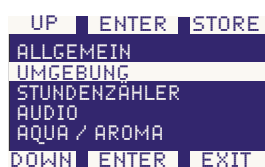
Invoking the menu



The menu can only be invoked if "megaSun" is being displayed.

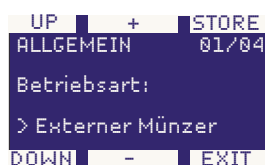
1. Press the plus and minus buttons in the indicated order. Level 1 of the service menu will be displayed.

Service menu, level 1



Level 1 of the service menu presents a list of all main menus. The selected menu item is highlighted by a light selection bar. By pressing ENTER, this menu item is opened on level 2. Here, the next button fulfils the same function as UP and DOWN.

Service menu, level 2



On level 2 of the service menu, the settings in the respective sub-menus are made. The current position and number of sub-menus are indicated in the upper right-hand corner (01/04: first sub-menu of a total of four sub-menus). On this level, the next button is used to invoke the menus of level 1 one after the other.

Functions within the menu

UP	Press the plus button above UP to move the selection bar upwards.
DOWN	Press the minus button below DOWN to move the selection bar downwards.
ENTER	Only on level 1 of the service menu. Press either the minus or the plus button to invoke level 2.
+/-	Press the plus or minus button above the + or - display to set a value for the selected menu item.
-	Press the minus button below - on the display to decrease or delete the selected value or to display the previous option.
STORE	Stores the settings.
EXIT	Exits the current menu level. On leaving level 1, only those settings are taken over that have previously been saved by pressing STORE .

Short description of the menus

Menu item	Menu option	Default	Meaning
ALLGEMEIN/GENERAL			
Betriebsart /Operating Mode	Externer Muenzer/ External Timer	⌘	Factory setting - do not change.
Standard-Besonnungszeit / Default Tanning Time	15 min		Factory setting – do not change.
Maximale Besonnungszeit/ Maximal Tanning Time	30 min		Factory setting – do not change.
Werkseinstellungen laden			Reset all values to factory settings.
UMGEBUNG/ENVIRONMENT			
Sprache/Language	Deutsch/ German	⌘	Language setting. The menu items are displayed in German.
	Englisch/ English		Language setting. The menu items are displayed in English.
Land/Country	Deutschland/ Germany	⌘	Country setting
	USA/USA		Country setting
Kontrast/Contrast			Contrast setting of the display
STUNDENZÄHLER/HOUR METERS			
Betriebsstunden Gesamt/ Operating Hours Overall			Indication of number of operating hours

Menu item	Menu option	Default	Meaning
Betriebsstunden Röhren/ Operating Hours Tubes			Indication of operating hours of tubes
Anzahl Besonnungen/ Number of Sunbaths			Total number of tanning sessions

AUDIO/AUDIO

Only functions that can be activated are displayed.

MP3 Player/ MP3 Player	ein/enabled	☒	MP3 player available.
	aus/disabled		MP3 player not available. Cannot be turned on by the studio guest.
Wellness/ Wellness	ein/enabled	☒	Wellness tracks available.
	aus/disabled		Wellness tracks not available. Cannot be activated by the studio guest.
Pop/Pop	ein/enabled	☒	Pop tracks available.
	aus/disabled		Pop tracks not available. Cannot be activated by the studio guest.
Externer Eingang/Line In	raumklang/ surround	☒	Studio music with surround sound is available.
	stereo/stereo		Stereo studio music is available.
	mono/mono		Mono studio music is available.
	aus/disabled		Studio music is not available and cannot be turned on by the studio guest.
Externe Kanalwahl/ Channel Selection	pulsecode/ pulsecode		Channel selection in pulse-code mode.
	bcd/ bcd		Channel selection in BCD-code mode.
	aus/disabled	☒	Only one studio channel, no channel selection.
Musik Immer/ Music Nonstop	ein/enabled		Music is played in tanning and standby modes.
	aus/disabled	☒	Music is only played in tanning mode.
Musik Standardquelle/ Default Source	Studiokanal/ Line In		Studio music is selected as standard audio source.
	MP3 Wellness/ MP3 Wellness		MP3 player with Wellness tracks is selected as standard audio source.
	MP3 Pop/ MP3 Pop	☒	MP3 player with Pop tracks is selected as standard audio source.
Standardlautstärke Besonnung/ Default Volume Tanning	0...9	6	Standard volume of the music in tanning mode
Standardlautstärke Standby/ Default Volume Standby	0...9	3	Standard volume of the music in standby mode
megaVoice/ megaVoice	ein/enabled	☒	megaVoice available.
	aus/disabled		megaVoice not available. Cannot be turned off by the studio guest.

Menu item	Menu option	Default	Meaning
megaVoice Lautstärke Besonnung/ megaVoice Volume Tanning	-9...9 dB	0	Difference in volume in comparison to music
Automatische Lautstärkeanpassung/ Dynamic Volume Adaption	ein/enabled	⊗	Automatic volume adaptation as a function of the body-fan speed
	aus/disabled		
Höhen Eingang/ Treble Line-In	-14...+14 dB	0	Treble adjustment for studio music
Tiefen Eingang/ Bass Line-In	-14...+14 dB	0	Bass adjustment for studio music
Höhen MP3 Player/ Treble MP3 Player	-14...+14 dB	0	Treble adjustment for MP3 player
Tiefen MP3 Player/ Bass MP3 Player	-14...+14 dB	0	Bass adjustment for MP3 player

AQUA/AROMA

Only functions that can be activated are displayed.

AquaCool/Aroma/ AquaCool/Aroma	Aqua/aqua		AquaCool available.
	Aqua & Aroma/ aqua & aroma	⊗	AquaCool and Aroma available.
	aus/off		AquaCool and Aroma disabled.
AquaCool Sprühzeit/ AquaCool Spray Time/	2...6	4	Spraying time adjustable to between 2 and 6 seconds.
AquaCool Automatik/ AquaCool Automatic	ein/enabled		The aqua function is automatically enabled. The values set for AquaCool Spray Time and AquaCool Cycle Time apply.
	aus/disabled	⊗	The aqua function is not started automatically. The studio guest can start the function by actuating the aqua push button. The value set for AquaCool Spray Time applies.
AquaCool Zykluszeit/ AquaCool Cycle Time	1...5 min	1	Break between spraying cycles adjustable to between 1 and 5 minutes. Function is only active if AquaCool Automatic is enabled.
Kabinenbeduftung/ Aroma Booth	Türkontakt/ Door contact		The aroma cycle is started via a door contact. Applies only when there is no tanning session ongoing.
	Intervall/ Interval		The aroma cycle is started in adjustable intervals (Interval menu). Applies only when there is no tanning session ongoing.
	Aus/Disabled	⊗	Aroma function in booth disabled.

Menu item	Menu option	Default	Meaning
Beduftungszyklen pro Stunde/ Aroma Cycles Per Hour	1...6	6	1 to 6 aroma cycles per hour. Applies to menu item Aroma Booth/Interval
AquaCool Testzyklus starten/ AquaCool Start Test Cycle			A single aqua cycle with preset spraying time is started.
Aroma Testzyklus starten/ Aroma Start Test Cycle			A single aroma cycle is started.
AquaCool Dauertest/ AquaCool Enable Endurance Test	ein/enabled		The aqua endurance test is started with the subsequent tanning session and continued during the entire session. When the session ends, the function is automatically set to disabled .
	aus/disabled		Test function deactivated.
AquaCool Start Initialisierung			Fills the hose with aquaCool liquid. Function must be carried out whenever the unit is put into operation and after each emptying of the hose.
AquaCool Entleerung			Empties the aquaCool hose. Function must be carried out before any disassembly, canister exchange, etc.
EREIGNISLISTE/EVENTLOG			Lists the latest 99 messages displayed.
VERSIONEN/VERSIONS			Indicates the software version of the control system and the connected components, such as MP3 player, aquaCool, etc.

Loading the factory settings

All values that have previously been changed are reset to the factory settings.

1. Move the selection bar to the menu item **GENERAL** and open the menu by pressing **ENTER**.
2. Invoke the **Loading factory settings** menu by pressing **DOWN**.
3. Keep the **-** or **+** button pressed for approx. 2 seconds.
4. Press **STORE** to save the settings and **EXIT** to leave the menu.

Changing the language and country settings

You can change the language and country settings in the service menu so that the menu items are displayed either in German or in English.

1. Move the selection bar to the menu item **ENVIRONMENT** and open the menu by pressing **ENTER**.
2. The **Language** menu is now available.
3. Choose the desired language via the plus and minus buttons.
4. Press **DOWN** to invoke the **Country** menu.
5. Choose the desired country via the plus and minus buttons.
6. Save the settings via **STORE** and leave the menu by pressing **EXIT**.

Adjusting the contrast of the display

You can adjust the contrast of the display to adapt the display to the lighting conditions of the environment in an optimal way.

1. Move the selection bar to the menu item `ENVIRONMENT` and open the menu by pressing `ENTER`.
2. Invoke the `Contrast` menu via `DOWN`.
3. Change the setting by using `+` or `-`.
4. Save via `STORE` and leave the menu by pressing `EXIT`.

Reading out the operating hours of the tower unit

The item `HOURL METERS/Operating Hours Overall` displays the total of operating hours of the tower. It cannot be reset to zero.

Resetting the operating hours of the tubes

`Operating Hours Tubes` in the menu `HOURL METERS` displays the operating hours of tubes. This value must be reset to zero after a tube replacement.

1. Move the selection bar to the menu item `HOURL METERS` and open the menu by pressing `ENTER`.
2. Invoke the `Operating Hours Tubes` menu via `DOWN`.
3. Reset to zero by pressing `-`.
4. Save via `STORE` and leave the menu by pressing `EXIT`.

Number of tanning sessions

The menu item `Number of Sunbaths` in the menu `HOURL METERS` indicates the total number of tanning sessions carried out so far. This piece of information serves statistical purposes only, e.g. for calculating the average duration of a tanning session. This value cannot be reset to zero.

Availability of an MP3 player

If the tower is equipped with an MP3 player, you can determine via this setting whether it is available for operation. If the tanning system is not equipped with an MP3 player, set this item to `disabled`.

1. Move the selection bar to the menu item `AUDIO` and open the menu by pressing `ENTER`.
2. The `MP3 Player` menu is now available.
3. Determine the desired setting via `+` or `-`.
`enabled`: The MP3 player is available.
`disabled`: The MP3 player is not available and cannot be turned on by the studio guest.
4. Save via `STORE` and press `EXIT` to leave the menu.

Availability of Wellness/Pop tracks

If the tower is equipped with an MP3 player that is set to `enabled`, you can determine whether you want to make Wellness and/or Pop tracks available. If the tanning system is not equipped with an MP3 player, set this item to `disabled`.

Wellness tracks

1. Move the selection bar to the menu item `AUDIO` and open the menu by pressing `ENTER`.
2. Invoke the `Wellness` menu via `DOWN`.
3. Make the desired setting via `+` or `-`.
`enabled`: Wellness tracks are available.
`disabled`: Wellness tracks are not available and cannot be turned on by the studio guest.
4. Save via `STORE` and press `EXIT` to leave the menu.

Pop tracks

1. Move the selection bar to the menu item `AUDIO` and open the menu by pressing `ENTER`.
2. Invoke the `Pop` menu via `DOWN`.
3. Make the desired setting via `+` or `-`.
`enabled`: Pop tracks are available.
`disabled`: Pop tracks are not available and cannot be turned on by the studio guest.
4. Save via `STORE` and press `EXIT` to leave the menu.

Availability of studio music

In the presence of studio music, you can determine its availability for the operation of the tower. If the tower is not equipped with an external input (line-in), set this menu item to `disabled`.

1. Move the selection bar to the menu item `AUDIO` and open the menu by pressing `ENTER`.
2. Invoke the `Line In` menu via `DOWN`.
3. Make the desired setting via `+` or `-`.
`surround`: Studio music is available in surround sound.
`stereo`: Studio music is available in stereo sound.
`mono`: Studio music is available in mono sound.
`disabled`: Studio music is not available and cannot be turned on by the studio guest.
4. Save via `STORE` and press `EXIT` to leave the menu.

Playing music all the time or only during tanning

Via this setting you determine whether the music is also played when there is no tanning session ongoing. If the tower is not equipped with an audio system, this item is irrelevant.

1. Move the selection bar to the menu item `AUDIO` and press `ENTER` to open the menu.
2. Invoke the `Music Nonstop` menu via `DOWN`.
3. Make the desired setting via `+` or `-`.
`Disabled`: The music is played only during tanning.
`Enabled`: The music is played during tanning and in standby mode.
4. Save via `STORE` and press `EXIT` to leave the menu.

Default setting of audio source

Via this setting you determine which audio source is used as the standard source when the tanning session starts. If the tanning system is not equipped with an audio system, this item is irrelevant.

1. Move the selection bar to the menu item **AUDIO** and press **ENTER** to open the menu.
2. Invoke the **Default Source** menu via **DOWN**.
3. Make the desired setting via **+** or **-**.
Line In: Studio music as default audio source.
MP3 Wellness: Wellness tracks from the MP3 player as default source.
MP3 Pop: Pop tracks from the MP3 player as default source.
4. Save via **STORE** and press **EXIT** to leave the menu.

Default setting of volume

With this setting, you determine the volume at which music and megaVoice are played by default. As to music, you can specify different volume levels for tanning mode and for standby mode. Furthermore, it is possible to adjust the volume to an increasing loudness level of the fan. If the tower is not equipped with an audio system, this item is irrelevant.

Volume of music in tanning mode

1. Move the selection bar to the menu item **AUDIO** and press **ENTER** to open the menu.
2. Invoke the **Default Volume Tanning** menu via **DOWN**.
3. Determine the desired volume by **+** or **-**.
The levels 0-9 correspond to the levels in tanning mode.
4. Save via **STORE** and leave the menu by pressing **EXIT**.

Volume of music in standby mode

1. Move the selection bar to the menu item **AUDIO** and press **ENTER** to open the menu.
2. Invoke the **Default Volume Standby** menu by pressing **DOWN**.
3. Set the desired volume via **+** or **-**.
The levels 0-9 correspond to the levels in tanning mode.
4. Save via **STORE** and leave the menu by pressing **EXIT**.

Availability of megaVoice

megaVoice is the acoustic user-guidance system of the tanning unit. If desired, the studio guest can turn off megaVoice during the tanning session. If the tower is not equipped with the megaVoice option, set this menu item to **disabled**.

1. Move the selection bar to the menu item **AUDIO** and open the menu via **ENTER**.
2. Invoke the **megaVoice** menu by pressing **DOWN**.
3. Make the desired setting via **+** or **-**.
enabled: megaVoice is available.
disabled: megaVoice is not available and cannot be turned on by the studio guest.
4. Save via **STORE** and press **EXIT** to leave the menu.

Presetting of megaVoice volume

This item is used to set the difference in volume between megaVoice and music.

- megaVoice volume in tanning mode**
1. Move the selection bar to the menu item **AUDIO** and open the menu by pressing **ENTER**.
 2. Invoke the **megaVoice Volume Tanning** menu via **DOWN**.
 3. Set the desired volume via **+** or **-**.
 4. Save via **STORE** and press **EXIT** to leave the menu.

Adjusting the volume

The volume is either increased or decreased as a function of the body-fan speed.

- Volume adjustment**
1. Move the selection bar to the menu item **AUDIO** and press **ENTER** to open the menu.
 2. Invoke the **Volume Adaption** menu via **DOWN**.
 3. Set the desired volume via **+** or **-**.
 4. Save via **STORE** and leave the menu by pressing **EXIT**.

Setting of treble and bass for studio music

Via this setting you can determine treble and bass of the audio output to create an optimal sound. If the tower is not equipped with an audio system, this item is irrelevant.

- Adjusting treble**
1. Move the selection bar to the menu item **AUDIO** and press **ENTER** to open the menu.
 2. Invoke the **Treble Line-In** menu via **DOWN**.
 3. Adjust the dB value via **+** or **-**.
 4. Save via **STORE** and press **EXIT** to leave the menu.

- Adjusting bass**
1. Move the selection bar to the menu item **AUDIO** and open the menu by pressing **ENTER**.
 2. Invoke the **Bass Line-In** menu via **DOWN**.
 3. Adjust the dB value via **+** or **-**.
 4. Save via **STORE** and press **EXIT** to leave the menu.

Setting of treble and bass for MP3 player

Via this setting you can determine treble and bass of the audio output to create an optimal sound. If the tower is not equipped with an MP3 player, this item is irrelevant.

- Adjusting treble**
1. Move the selection bar to the menu item **AUDIO** and open the menu by pressing **ENTER**.
 2. Invoke the **Treble MP3 player** menu via **DOWN**.
 3. Adjust the dB value via **+** or **-**.
 4. Save via **STORE** and press **EXIT** to leave the menu.

- Adjusting bass**
1. Move the selection bar to the menu item **AUDIO** and open the menu by pressing **ENTER**.
 2. Invoke the **Bass MP3 player** menu via **DOWN**.
 3. Adjust the dB value via **+** or **-**.
 4. Save via **STORE** and press **EXIT** to leave the menu.

Presetting of aquaCool and aroma

Both aquaCool and aroma can be started either automatically or upon customer's request. AquaCool can either be started separately or in combination with the aroma booth-scenting function during the tanning session. The aroma function can only be activated in combination with aquaCool during the tanning session.

- Starting aquaCool upon customer's request**
- If the studio guest presses the aquaCool push button during the tanning session, the aquaCool function is started and carried out once and for the preset spraying time.

1. Move the selection bar to the menu item **AQUA/AROMA** and press **ENTER** to open the menu.
2. Invoke the **AquaCool /Aroma** menu via **DOWN**.
3. Use **+** or **-** to set the system to **Aqua** or **Aqua & Aroma**, as desired by the customer.
4. Invoke the **AquaCool Spray Time** menu via **DOWN**.
5. Make the desired setting via **+** or **-**.
6. Invoke the **AquaCool Automatic** menu via **DOWN**.
7. Set this item to **disabled** by using the **+** or **-** buttons.
8. Save via **STORE** and press **EXIT** to leave the menu.

- Starting aquaCool automatically**
- Once started by pressing the aquaCool push button, the function is carried out according to a predefined time cycle. AquaCool can be disabled by pressing the button again.

1. Move the selection bar to the menu item **AQUA/AROMA** and press **ENTER** to open the menu.
2. Invoke the **AquaCool /Aroma** menu via **DOWN**.
3. Use **+** or **-** to set the system to **Aqua** or **Aqua & Aroma**, as desired.
4. Invoke the **AquaCool Spray Time** menu via **DOWN**.
5. Set the desired value via **+** or **-**.
6. Invoke the **AquaCool Cycle Time** menu via **DOWN**.
7. Set the desired value via **+** or **-**.
8. Invoke the **AquaCool Automatic** menu via **DOWN**.
9. Use **+** or **-** to set this item to **enabled**.
10. Save via **STORE** and press **EXIT** to leave the menu.

Presetting of booth scenting

The aroma function can be used for booth scenting even if there is no tanning session ongoing. The aroma diffusion in the booth is effected in intervals, i.e. in a fixed number of cycles per hour, or via door contact, i.e. aroma starts when the cabin door is closed.

1. Move the selection bar to the menu item AQUA/AROMA and press ENTER to open the menu.
2. Invoke the Booth Scenting menu via DOWN.
3. Set the item to Interval or Door Contact by pressing + or -.
4. Invoke the Aroma Cycles Per Hour menu via DOWN.
5. Set the desired value via + or -.
6. Save via STORE and press EXIT to leave the menu.

Testing aqua and aroma function

The functioning of aquaCool and aroma can be tested without a tanning program running. The tests are made to check the quality of the diffusion process.

Testing the aqua function

The Aqua cycle is started for one run with set spraying time.

1. Move the selection bar to the menu item AQUA/AROMA and open the menu by pressing ENTER.
2. Invoke the AquaCool Start Test Cycle menu via DOWN.
3. Keep + or - pressed for approx. 2 seconds to start the test cycle. As long as the test is running, "In Progress" is displayed.
4. Press EXIT to leave the menu.

Testing the aroma function

During this test, an aroma cycle is carried out.

1. Move the selection bar to the menu item AQUA/AROMA and open the menu by pressing ENTER.
2. Invoke the Aroma Start Test Cycle menu via DOWN.
3. Keep + or - pressed for approx. 2 seconds to start the test cycle. As long as the test is running, "In Progress" is displayed.
4. Press EXIT to leave the menu.

Aqua endurance test

The aqua endurance test is started with the following tanning session and lasts during the entire session. When the tanning session ends, the function is automatically set to "disabled".

1. Move the selection bar to the menu item AQUA/AROMA and open the menu by pressing ENTER.
2. Invoke the AquaCool Endurance Test menu via DOWN.
3. User + or - to set the function to enabled.
4. Save via STORE and press EXIT to leave the menu.

Initialising aquaCool

When aquaCool is initialised, its hose is completely filled with liquid. The filling is required in order to obtain a uniform spraying pattern.

1. Move the selection bar to the menu item `AQUA/AROMA` and open the menu by pressing `ENTER`.
2. Invoke the `AquaCool Start Initialisation` menu via `DOWN`.
3. Keep `+` or `-` pressed for approx. 2 seconds to execute the initialisation process. During this process, "In Progress" is displayed.
4. Press `EXIT` to leave the menu.

Depleting aquaCool

When aquaCool is depleted, the liquid is pumped out of its hose. Thus, the unintended running-out of the liquid, e.g. on disassembly or exchange of canister, is prevented.

1. Move the selection bar to the menu item `AQUA/AROMA` and press `ENTER` to open the menu.
2. Invoke the `AquaCool Depletion` menu via `DOWN`.
3. Keep `+` or `-` pressed for approx. 2 seconds to carry out the depletion process. While the hose is being emptied, "In Progress" is displayed.
4. Leave the menu by pressing `EXIT`.

Displaying the event log

Lists the latest 99 messages displayed. The following information is indicated:

- Serial number within an event category and operating hour of the event
- Type of event and error code
- Designation of event

1. Move the selection bar to the menu item `EVENTLOG` and press `ENTER` to open the menu.
2. Press `EXIT` to leave the menu.



Displaying versions

Indicates the software version of the control system and the components connected thereto, e.g. MP3 player, aquaCool, etc.

1. Move the selection bar to the menu item `VERSIONS` and open the menu by pressing `ENTER`.
2. To leave the menu, press `EXIT`.
3. Mit `EXIT` das Menü verlassen.

Maintenance and cleaning

Regular maintenance is required for the safe operation of the towers and has to be documented. Cleaning is to be performed when necessary.

	 DANGER
	<p>Live parts</p> <p>Danger to life due to electric shock when touching live parts.</p> <ul style="list-style-type: none"> • Always switch off the fuses before opening the unit to ensure that it does not carry any voltage. • Protect the unit against re-connection.

Instructions for cleaning and care

- | | |
|------------------------------------|--|
| General | <ul style="list-style-type: none"> • Before cleaning, take off any rings, bracelets, watches etc. that you might be wearing in order to avoid scratching the surfaces. • It must be avoided at any rate that any cleaning fluid runs into the appliance. |
| Tubes | <ul style="list-style-type: none"> • To preserve the tanning power, we recommend cleaning the tubes and UV lamps with warm water and a chamois after approx. 200 hours of operation. |
| Acrylic panes | <ul style="list-style-type: none"> • For cleaning the acrylic panes, use the special cleansing agent and disinfectant "megaClean" supplied by KBL and dilute it in water at a ratio of 1:13. |
| Varnished and plastic parts | <ul style="list-style-type: none"> • To clean the varnished and plastic surfaces, use a damp soapy cloth. • Do not clean the big plastic parts with a dry cloth. This might scratch the surfaces! |
| Floor plate | <ul style="list-style-type: none"> • To clean the mirror plate of the floor, proceed as follows:
Use a damp chamois and spray megaClean onto it sparingly. Then wipe the surfaces clean. NEVER CLEAN WITH A DRY CLOTH!
Prevent the corners and edges from getting wet. |
| Cleansing agents | <ul style="list-style-type: none"> • The surfaces and acrylic panes must not be cleaned with concentrated disinfectants or solvents or other liquids that contain alcohol! |

Maintenance intervals

Component/wearing part	Cleaning	Replacement
Tubes and starters	Tubes after approx. 200 operating hours	After 500 operating hours
Acrylic panes	When necessary	After approx. 3000 operating hours
aquaCool nozzles	When necessary	After approx. 1000 operating hours
Colour filters of unit lighting		Whenever UV tubes are replaced

Cleaning and replacing the acrylic panes

The acrylic panes can exhibit small inclusions and reams. During operation hairline cracks can also develop. This does not affect or hardly affects the tanning properties and does not represent a quality flaw.

The panes are cleaned whenever necessary. When cleaning the inside, it is recommended to take the occasion and clean the tubes, too. The instructions for cleaning and care must be observed. The outer surface can be cleaned without any preparatory works.

The panes are dismantled as follows:

1. Push the pane centrally towards the tubes (e.g. with your elbow) and pull the upper right-hand corner of the pane out with the help of the suction cup.



2. Take hold of the pane from behind and release the right-hand side in a downward movement. The pane can then be removed.



3. To install the pane, insert its entire left-hand side and press it against the aluminium section.



4. Bend the pane and push it over the right-hand edge of the aluminium section. Due to the pane being bent, it rests in its position.

Cleaning and replacing the tubes

By regularly cleaning the tubes (see *Cleaning and care instructions*) you can help preserve their tanning power. When replacing the tubes, you must also replace the starters. Replace tubes and starters only against ones of the same type.

The colour filter of the unit lighting must be replaced whenever the tube is replaced.

1. Dismantle the acrylic panes as it is described in the section "Cleaning and replacing the acrylic panes".
2. Dismantle the tubes by turning each tube a quarter turn towards the front or towards the back and then pulling it out.





3. To clean the tubes, use warm water and a chamois. Do not use any aggressive detergents or agents containing alcohol.
4. When installing new tubes, replace the starters first.



5. Installing the tubes: Make sure that the inscription on the tubes is visible, for otherwise, there will be no tanning effect.



6. The assembly is carried out in reverse order.
7. Reset the operating hours counter in the service menu (Betriebsstunden Röhren/Operating Hours Tubes, section "Operation in standby / service mode")

Replacing the tower lighting

In the top crown, in the door and in the lateral parts, there are tubes to illuminate the tanning unit. The colour filter must be replaced at the latest when a tube is replaced.

Top crown

1. Undo the two screws at the facing of the "Tower lighting in top crown" and remove the facing.



2. Turn the lighting tube a quarter turn towards the front and take it out towards the front.



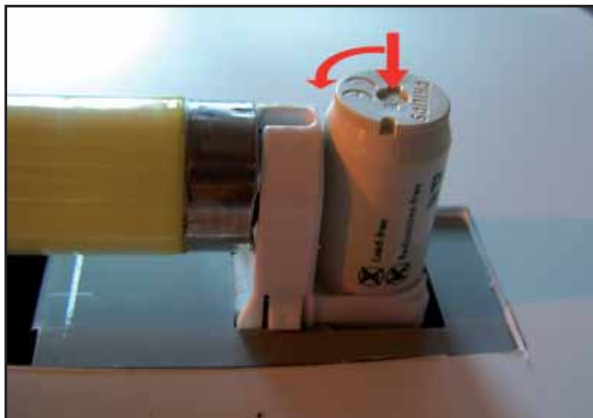
3. Replace the lighting tube and, if present, the colour filter.
4. Fasten the facing again.

Door

5. Removing the door facing: Place a suction cup in the centre of the respective pane and slowly pull the pane towards the front. Loosen the pane at one corner and go on downwards, then pull the pane off.



6. Turn the tube a quarter turn to the right and take it out towards the front. Replace the tube, the colour filter (if present) and the starter.



7. Fasten the door facing again. To do so, push the facing in the section, beginning at the lower right-hand corner up to the door handle. Then insert the lower left-hand corner of the facing and go on upwards in steps.

Lateral parts

1. Dismantle the acrylic pane in the respective lateral part as described in section "Cleaning and replacing the acrylic panes".
2. Dismantle the first and second tube on the left in the left-hand lateral part; in the right-hand lateral part, dismantle the first and second tube on the right. The tower lighting is located behind these tubes.



3. Replace the lighting tube and, if present, the colour filter, with new parts.



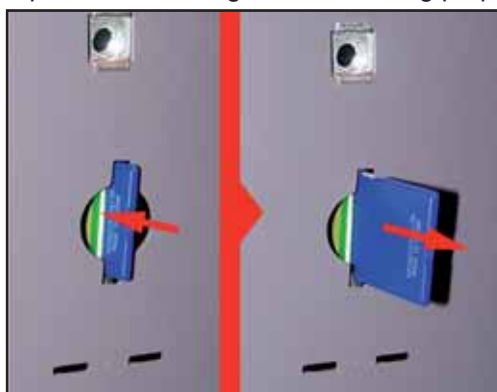
4. Install a new tube and, if present, a new colour filter.
5. Re-install the UV tubes and the pane.

Exchanging the SD card in the MP3 player

1. Open the flap on the side of the rear wall and pull it out.



2. Push the SD card forwards slightly and pull it out. The card can now be replaced or used again for recording purposes.



3. Insert the SD card and close the flap.



Writing to the SD card

Please consult the section “Technical data” for further information on supported card sizes as well as file-system and MP3 formats.

There are three directories on the card: Wellness, Pop and Voice. You can use the Wellness and Pop directories to add or delete audio files upon your discretion. These tracks are played when the corresponding source has been selected. The number of files is limited by the storage capacity of the SD card.

The SD card must not be formatted, and the Voice directory and its contents must not be changed or deleted.

1. Insert the card into the computer.
2. Copy files to the Wellness or Pop directories or delete files from one of these directories.
3. Insert the card in the MP3 player.

Replacing the aquaCool canister and refilling aroma

Undo the cover of the aquaCool box and take it off.

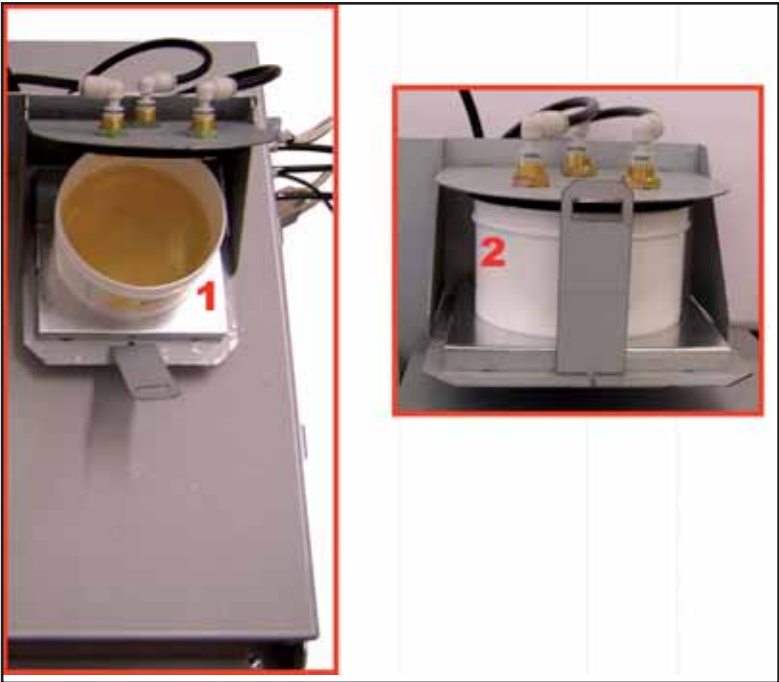
Colour codes

- Blue: Compressed air for aquaCool
- Red: Backflow aquaCool
- Green: Flow aquaCool
- Yellow: Aroma

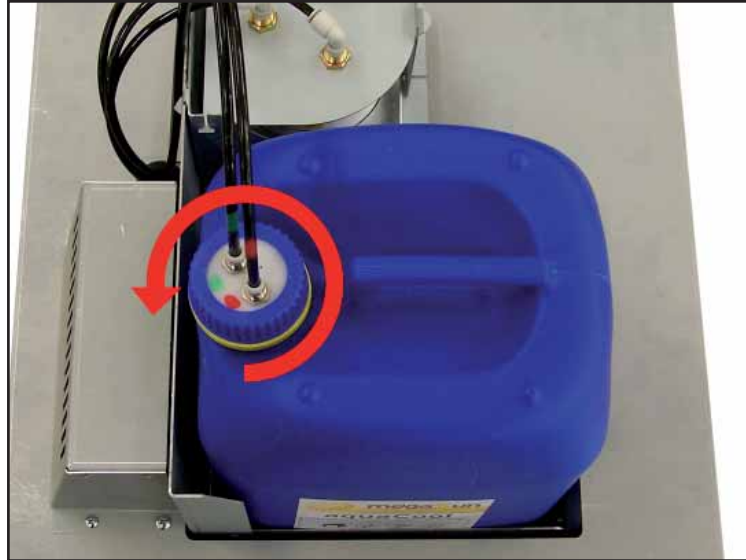
1. Open the aquaCool box..



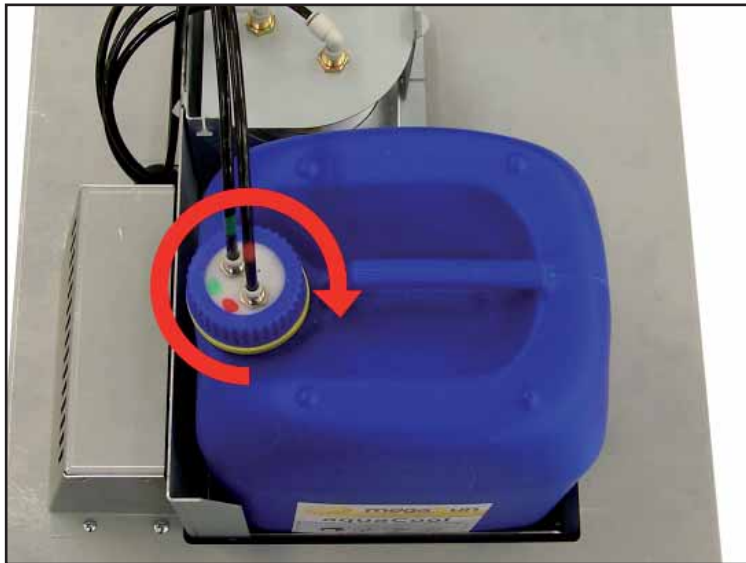
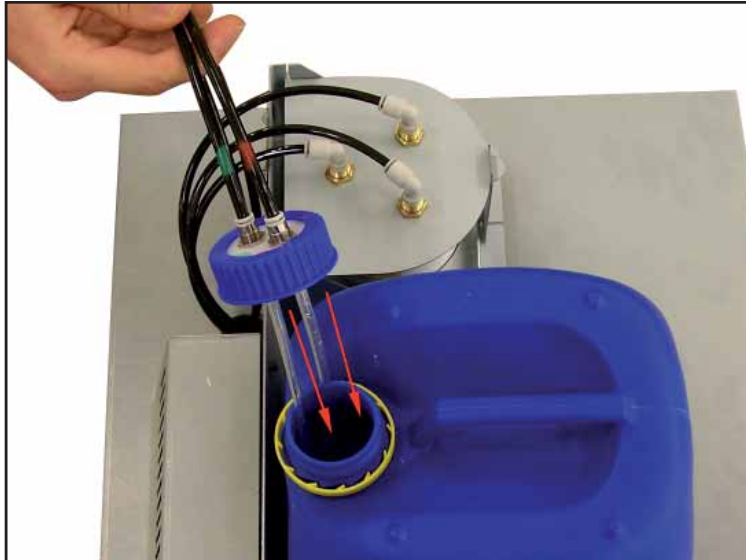
2. Put the aroma bucket in place



3. Screw on the lid with the hose connections off the canister and place the two hoses into a plastic bag so as they do not get dirty. Remove the empty canister.



4. Screw the lid including the hose connections again. Do not use anything else than "aquaCool" by KBL; otherwise you run the risk of choked nozzles and of your customer catching infections.



5. Hinge the cover and screw down the the aquabox again.



Replacing the aquaCool nozzles

After 1000 hours of operation, the aquaCool nozzles have to be replaced in order to ensure that aquaCool stays fully operative and efficient. The installation instructions will be enclosed in your spare parts consignment.

Fault messages

No	Status text	Status description	Trouble-shooting
01	Excess temperature bi-metal	Bi-metal switch triggers.	Check the air-intake/air-discharge system. Let the tanning system cool down and acknowledge the message by pressing the START button. If the fault persists, contact the Customer Service.
02	Maximum tanning time reached	The coin-box signal is active for a longer time than specified by Максимальное Таннинг Time (voltage is applied)	Disconnect from the coin-box system.
03	Excess temperature sensor, check ventilation.	The critical value of 80° C has been reached at the sensor.	Check the air-intake/air-discharge system. Let the tanning system cool down and acknowledge the message by pressing the START button. If the fault persists, contact the Customer Service
04	Excess temperature sensor, check ventilation.	A temperature of more than 70° C has been measured for a period of more than 3 minutes.	Check the air-intake/air-discharge system. Let the tanning system cool down and acknowledge the message by pressing the START button. If the fault persists, contact the Customer Service.
101	Please close the door, check ventilation.	Temperature rise in door is too high.	Close door during the tanning session and keep it closed to ensure proper cooling of the door.
102	Check tube/temperature sensor in the door	Temperature in door is too low.	Check if tubes including starters and ballasts are working properly. If they are functional and the fault persists: Replace the temperature sensor in the door (contact Customer Service).
201	1 temperature sensor not working	The control unit cannot detect a temperature sensor.	Replace the temperature sensor in the door (contact Customer Service).
202	2 temperature sensors not working.	Both temperature sensors cannot be detected by the control unit. The fan runs permanently on the highest level.	Replace the temperature sensors in the door (contact Customer Service).
203	Fill level of aquaCool canister is low	The contents of the aquaCool canister will last another 2.5 hours of operation.	Replace the empty aquaCool canister with a new one. Do not replace aquaCool with other liquids!
204	Connection to aquaCool module faulty	Communication between control unit and aquaCool module has been interrupted.	Check the 9-pole data cable (see chapter "Connections aqua Cool box/tower"). If the fault persists, contact the Customer Service.
205	Connection to display module faulty	Communication between control unit and display module has been interrupted.	Check cable connection, replace if necessary. If the fault persists, contact the Customer Service.

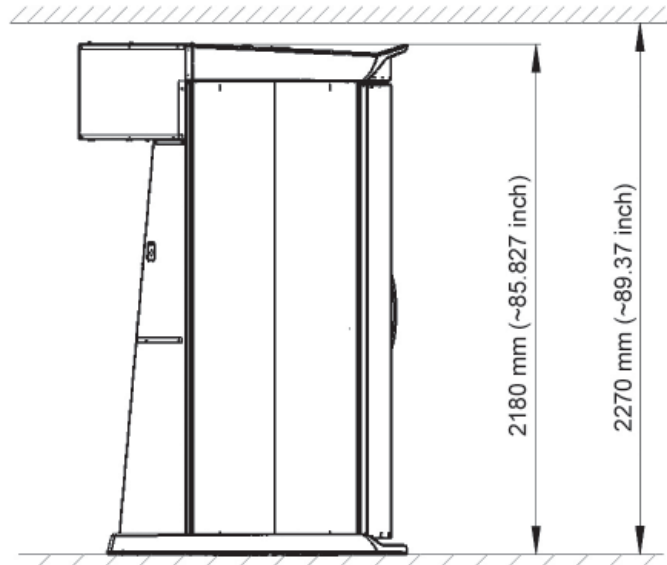
Service

For all service-related questions, please contact your responsible specialist supplier.

Technical Data megaSun space 2000 (T3)

Ambient conditions	
Installation site	In dry rooms (booths) with sufficient airing (intake and discharge) <ul style="list-style-type: none"> • Relative humidity: $\leq 70\%$ • Room temperature: ≤ 30 Minimum height of the room: 2270 mm
Protective class	IP 20
Electrical data of connection	
Mains voltage	400 V / ~ 3 N / 50 Hz
Wire cross section	5 x 2.5 mm ² Oilflex
Fuses	Automatic fuse K-type (safety cut-out), 3-pole, 3x 25 A with ground fault circuit interrupter (FI)
Nominal power	10150 W
Air discharge	
Central exhaust-air socket	Diameter 300 mm, suction power max. 2600 m ³ /h
Exhaust-air hose	Diameter 300 mm
Unit data	
Tubes	50x megaSun space 2000 (1918 R 180W)
Dimensions in mm (Height x Width x Depth)	2180 \pm 10 x 1400 \pm 5 x 1405 \pm 5 (closed)
Weight	approx. 390 kg
MP3 player	<ul style="list-style-type: none"> • Supports SD cards of up to 1 GB • Supported file systems of SD card: FAT, FAT32 • Supported MP3 files: constant and variable bit rate, 96-320 Kbit/s

Seitenansicht



Ansicht von oben

